

↕ IRION LANCER JUMBO

bulmor
strong sideloader solutions

BMS 40-45

for maximum
productivity



Multidirectional Sideloader

technical Data

www.bulmor.com

Multidirectional-Sideloader **BMS 40-45**

Typ			BMS 40	BMS 45
Lifting Capacity	Q	kg	4000	4500
Load centre	c by NB = 1200	mm	600	
Width GT	Vn rated dimension cassis back to face of fork	mm	850	
Width BGTs	Ve effective dimension cassis back to face of fork	mm	1000	
Useable width with GT	NB = B - Vn	mm	1200	
Useable width with BGTs	NB = B - Ve	mm	1050	
Mast traverse GT	V = NB + 100	mm	1300	
Overall Dimensions				
Total length	L	mm	3100	
Total length over cabin	Lk (Standard cabin LK6,7)	mm	3100	
Useable platform	NB from - to	mm	800 - 2200	
Total width	B (NB = 800)	mm	2050	
Aisle width	AST (B = 1550)	mm	2250 / 3050	
Platform height	P	mm	400 / 500	
Well width	E	mm	1580	
Ground clearance	m (under Mast)	mm	100	
Cabin height	H (Standard cabin LK6,7)	mm	2670	
Lift height	h3 (Rated lift height)	mm	3500	
Total width	bei B = 1750 / 2150 / 2550	°	±1 / ±0,76 / ±0,62	
Horizontal mast correction	bei h3=6000 & B = 1750 / 2150 / 2550	mm	±105 / ±80 / ±65	
Fork Carriage				
Fork distance outer edge to outer edge GT	GTL	mm	1460	
Fork distance GT	AK - AK	mm	400 - 1460	
Fork distance outer edge to outer edge BGTs	GTL	mm	3600	
Fork distance BGTs	AK - AK	mm	400 - 3600	
Tilting fork carriage	+ = on / - = off	°	+5 / -5	
Weights				
Weight including battery	B=1950; 3,5m Duplex; GT; 4PzS	kg	6300	6500
Weight including battery & rated load		kg	10300	11000
Stability	ISO 22915-7		Yes	
Battery				
Voltage		V	80	
Capacity		Ah	620 / 775 / 930	
Drive				
Drive motor	AC - Technology	kW	2 x 5	
Working hydraulics		kW	1 x 28	
Dimension				
Wheels	Number driven / load side (Soft Tyres)		2/4 (2/4)	
Drive wheels	Vulkollan® - Diameter x Width	mm	ø406 x 178	
Load wheels	Vulkollan® - Diameter x Width	mm	ø285 x 100	
Spec. Ground pressure	Number driven / load side (ready to drive on load)	N/cm²	380 / 395	385 / 410
Drive wheels	Elastic Tyres - Diameter x Width	mm	ø457 x 229	
Load wheels	Elastic Tyres - Diameter x Width	mm	ø406 x 100	
Spec. Ground pressure	Number driven / load side (ready to drive on load)	N/cm²	125 / 95	130 / 100
Steering / brakes				
Steering	Multidirectional steering standard 12-steering programs		electrohydraulic	
Service brake I	Activation by accelerator release		regenerative	
Service brake II	Activation by operating brake pedal		proportional counter-current braking	
Park-/Parking brake			electromagnetically released sprung-applied brake	
Working Pressure	For Attachement	bar	185	

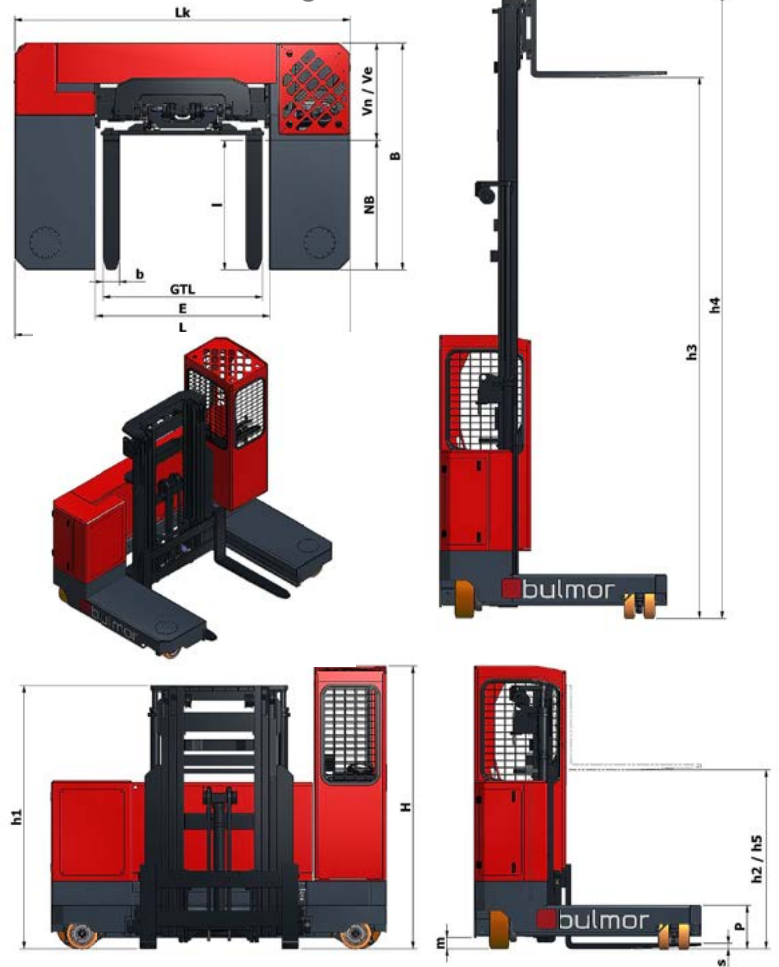
Mast Data

BMS 40-45 Duplex (D)				
Lift Height	Height			Free-Lift
	closed height	extended GT	Extended BGTs	
h3	h1	h4	h4	h2
3500	2600	4280	4640	600
4000	2850	4780	5140	600
4500	3100	5280	5640	600
5000	3350	5780	6140	600
5500	3600	6280	6640	600
6000	3850	6780	7140	600

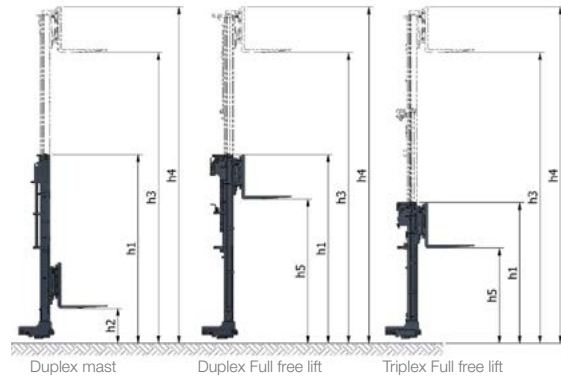
BMS 40-45 Duplex Full free lift mast (V)					
Lift Height	Height			Free-Lift	
	closed height	extended GT	Extended BGTs	GT	BGTs
h3	h1	h4	h4	h5	h5
3500	2500	4280	4640	1720	1360
4000	2750	4780	5140	1970	1610
4500	3000	5280	5640	2220	1860
5000	3250	5780	6140	2470	2110
5500	3500	6280	6640	2720	2360
6000	3750	6780	7140	2970	2610

BMS 40-45 Triplex Full free lift mast (T)					
Lift Height	Height			Free-Lift	
	closed height	extended GT	Extended BGTs	GT	BGTs
h3	h1	h4	h4	h5	h5
5000	2430	5780	6140	1650	1290
5500	2600	6280	6640	1820	1460
6000	2770	6780	7140	1990	1630
6500	2930	7280	7640	2150	1790
7000	3100	7780	8140	2320	1960
7500	3270	8280	8640	2490	2130
8000	3430	8780	9140	2650	2290

Standard Fork Carriage



Mast Dimensions



RESIDUAL CAPACITY BMS 40 / BMS 45

Plattform-width (mm)	Lift height (m)						
	3,5	4	4,5	5	5,5	6	6,5
1200	4000/4500	3800/4270	3720/4180	3540/3980	3280/3690	3280/3690	a.A.
1400	4000/4500	3800/4270	3720/4180	3540/3980	3400/3820	3280/3690	3200/3600
1600	4000/4500	3800/4270	3720/4180	3540/3980	3400/3820	3280/3690	3200/3690

	7	7,5	8
1200	a.A.	a.A.	a.A.
1400	a.A.	a.A.	a.A.
1600	3120/3510	2920/3280	a.A.

Forks

Type	Cross section	Capacity		
		1000	1200	1400
BMS 40	b / s	150 / 50	150 / 50	180 / 50
BMS 45	b / s	150 / 50	180 / 50	150 / 60

Typical BULMOR- more than others.

Every machine in the BULMOR fleet stands for power and robustness, as well as efficiency and safety. Every machine is created using the experience and genes of more than 45 years of experience in the field of forklift construction.



- Sideloader
- Multidirectional sideloaders
- Ground support equipment

Head office Austria
Bulmor industries GmbH
Kickenau 1
A-4320 Perg

t +43 7262 58397-0
f +43 7262 58397-11
e info@bulmor.com

Branch office Germany
Bulmor Deutschland GmbH
Kinzigstraße 12
D-77694 Kehl

Branch office UK
Bulmor Lancer Ltd.
Chartmoor Road
Leighton Buzzard

www.bulmor.com